

DS-2CD2027G1-L

2 MP ColorVu Outdoor Fixed Bullet Network Camera



Hikvision ColorVu technology provides 24/7 vivid colorful images with $f/1.0$ advanced lenses, high performance sensors, and friendly lighting. The $f/1.0$ super-aperture collects more light to produce brighter images. Advanced sensor technology can vastly improve the utilization of available light. In zero-light scenarios, built-in, warm supplemental lighting works to guarantee colorful images.

The cameras can be outfitted with a 2.8 mm, 4 mm, or 6 mm lens to cover a variety of needs.

Available Models:

DS-2CD2027G1-L: 2.8 mm

DS-2CD2027G1-L: 4 mm

DS-2CD2027G1-L: 6 mm

- 1/2.8" Progressive Scan CMOS
- 1920 × 1080 @ 30 fps
- $f/1.0$, 2.8 mm, 4 mm, or 6 mm Lens
- 120 dB WDR
- H.265+, H.265, H.264+, H.264
- IP67
- Built-in MicroSD/SDHC/SDXC Slot, up to 256 GB
- 24/7 Full Time Color

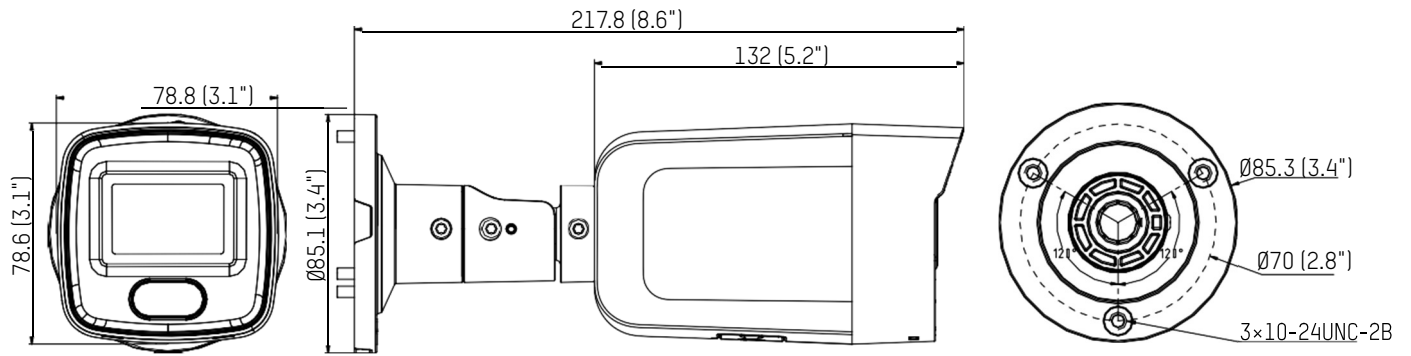


Specifications

Camera	
Image Sensor	1/2.8" progressive scan CMOS
Minimum Illumination	Color: 0.0035 lux @ (f/1.0, AGC on), 0 lux with white light
Shutter Speed	1/3s to 1/100,000s
Slow Shutter	Yes
Wide Dynamic Range	120 dB
Angle Adjustment	Pan: 0 to 360°, tilt: 0 to 90°, rotation: 0 to 360°
Lens	
Lens Type	2.8 mm, 4 mm, or 6 mm fixed lens
FOV	2.8 mm, horizontal FOV: 112°, vertical FOV: 57°, diagonal FOV: 138°
	4 mm, horizontal FOV: 89°, vertical FOV: 47°, diagonal FOV: 106°
	6 mm, horizontal FOV: 54°, vertical FOV: 30°, diagonal FOV: 63°
Aperture	f/1.0
Lens Mount	M16
Illuminator	
White Light Range	98 ft (30 m)
Video	
Maximum Resolution	1920 × 1080
Main Stream	30 fps (1920 × 1080, 1280 × 960, 1280 × 720)
Sub Stream	30 fps (640 × 480, 640 × 360, 320 × 240)
Video Compression	Main stream: H.265+/H.264+/H.265/H.264
	Sub-stream: H.265/H.264/MJPEG
Video Bit Rate	32 Kbps to 8 Mbps
H.264 Type	Baseline Profile, Main Profile, High Profile
H.265 Type	Main Profile
Stream Type	Main stream/sub-stream/third stream
Simultaneous Live View	Up to 6 channels
Scalable Video Coding (SVC)	Yes
Region of Interest (ROI)	1 fixed region for each stream
<i>*NOTE: The frame rate of the sub-stream cannot exceed the maximum frame rate of the current main stream.</i>	
Network	
API	ONVIF (PROFILE S, PROFILE G), ISAPI, SDK
Protocols	TCP/IP, ICMP, HTTP, HTTPS, FTP, DHCP, DNS, DDNS, RTP, RTSP, NTP, UPnP, SMTP, IGMP, 802.1x, QoS, IPv6, UDP, Bonjour, SSL/TLS
User/Host	Up to 32 users. 3 user levels: administrator, operator, and user
Security	Password protection, complicated password, HTTPS encryption, watermark, IP address filter, basic and digest authentication for HTTP/HTTPS, WSSE and digest authentication for ONVIF, RTP/RTSP OVER HTTPS, Control Timeout Settings, Security Audit Log, TLS 1.2
Network Storage	MicroSD/SDHC/SDXC card (256 GB), local storage, and NAS (NFS, SMB/CIFS), ANR
Client	iVMS-4200, Hik-Connect, Hik-Central
Web Browser	IE8+, Chrome 41.0–44, Firefox 30.0–51, Safari 8.0–11
Image	
Day/Night Switch	Day/Night/Auto/Schedule
Image Enhancement	BLC, HLC, 3D DNR
Image Settings	Saturation, brightness, contrast, sharpness, AGC, and white balance are adjustable by client software or Web browser
S/N Ratio	>50 dB
Interface	
RS-232	RS-232 serial port control
On-Board Storage	Built-in microSD/SDHC/SDXC slot, up to 256 GB
Hardware Reset	Yes
Communication Interface	1 RJ-45 10M/100M self-adaptive Ethernet port
Smart Features	
Basic Event	Motion detection, video tampering alarm, exception (IP address conflict, illegal login, HDD full, HDD error)
Premier Protection	Intrusion detection, line crossing detection
General	
Web Client Language	English, Russian, Italian, French, Polish, Portuguese, Spanish, Turkish
General Function	One-key reset, anti-flicker, heartbeat, mirror, password protection, privacy masks, IP address conflict, flash log
Software Reset	Yes
Linkage Method	Upload to FTP/NAS/memory card, notify surveillance center, send e-mail, trigger capture
Storage Conditions	-22° to 140° F (-30° to 60° C)
Startup and Operating Conditions	-22° to 140° F (-30° to 60° C)
Power Supply	12 VDC ±20%, PoE: 802.3af
Power Consumption and Current	12 VDC, 0.4 A, maximum 5 W; PoE: (802.3af, 36 V to 57 V), 0.2 A to 0.1 A, maximum 6.5 W
Power Interface	Ø5.5 mm coaxial power plug
Material	Metal
Camera Dimension	3.3" × 3.3" × 8.6" (85 mm × 85 mm × 218 mm)
Package Dimension	12.4" × 5.4" × 5.6" (315 mm × 137 mm × 141 mm)
Camera Weight	1.5 lb (0.680 kg)
With Package Weight	2.2 lb (1.005 kg)
Approval	
Protection	Ingress protection: IP67 (IEC 60529-2013)
EMC	CE-EMC (EN 55032: 2015, EN 61000-3-2: 2014, EN 61000-3-3: 2013, EN 50130-4: 2011 + A1: 2014); RCM (AS/NZS CISPR 32: 2015); IC (ICES-003: Issue 6, 2016); KC (KN 32: 2015, KN 35: 2015)
	UL (UL 60950-1); CB (IEC 60950-1:2005 + Am 1:2009 + Am 2:2013); CE-LVD (EN 60950-1:2005 + Am 1:2009 + Am 2:2013); BIS (IS 13252 (Part 1):2010+A1:2013 + A2:2015); LOA (IEC/EN 60950-1)
Safety	UL (UL 60950-1); CB (IEC 60950-1:2005 + Am 1:2009 + Am 2:2013); CE-LVD (EN 60950-1:2005 + Am 1:2009 + Am 2:2013); BIS (IS 13252 (Part 1):2010+A1:2013 + A2:2015); LOA (IEC/EN 60950-1)
Environment	CE-RoHS (2011/65/EU); WEEE (2012/19/EU); Reach (Regulation (EC) No 1907/2006)




* Listed resolutions are only selectable options. It does not mean that all streams can work at their maximum resolution at the same time.

Dimensions



Unit: mm (inch)

Accessories

NOT INCLUDED		
		
CM Corner Mount	CBS Junction Box	PM Vertical Pole Mount